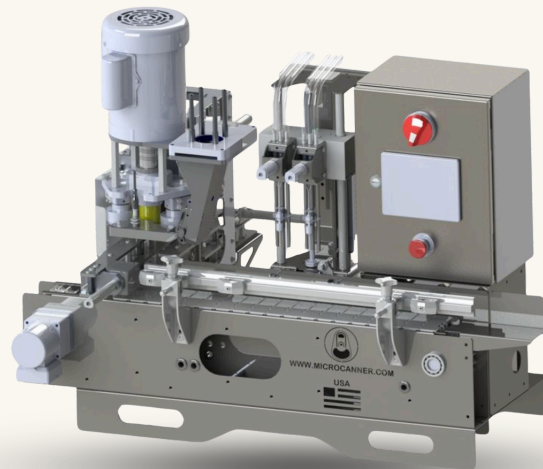


MC-NOVA

TWIN FILLER HEAD 22 CPM

44.88" x 29.06" x 34.04"
185lbs

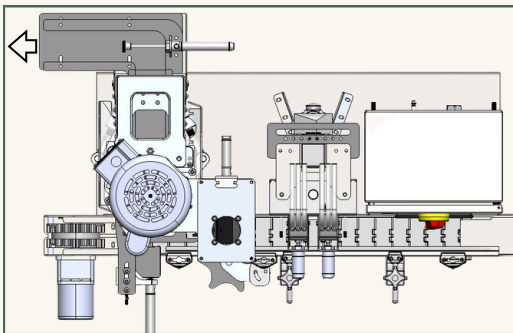


\$28,975
BASE PRICE

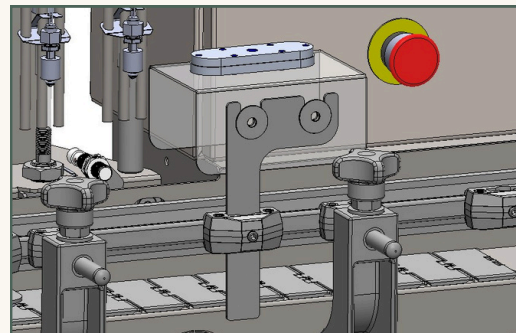
INCLUDED

- SUPPORTS STANDARD 8, 12, 16 AND 19.2 OZ CANS
- SUPPORTS SLEEK CANS
- STANDARD BACK EXIT FOR CANS

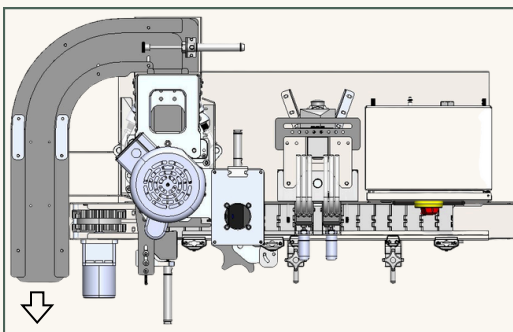
MACHINE ADD ONS



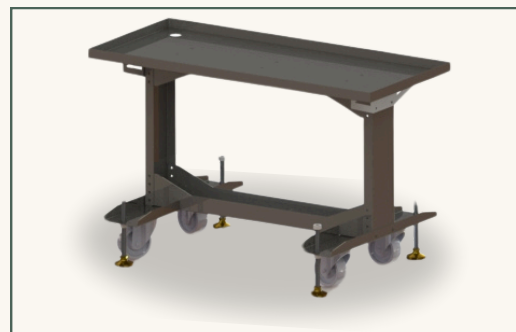
**INLINE
KICK-OFF**
\$2,000



**CO2
TUNNEL**
\$1,700



**U-TURN
KICK-OFF**
\$3,000



**NOVA
FRAME**
\$3,200

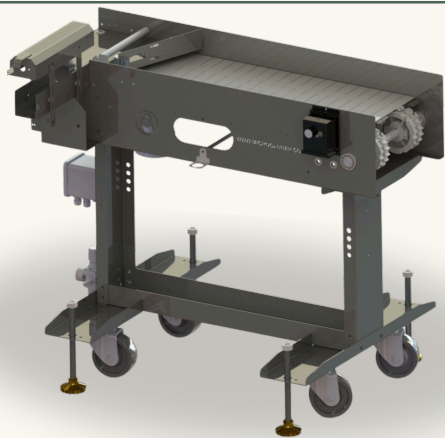
PLEASE NOTE
THAT YOU
ASSEMBLE THE
FRAME YOURSELF

MC-NOVA

TWIN FILLER HEAD 22 CPM



FEEDER OPTIONS



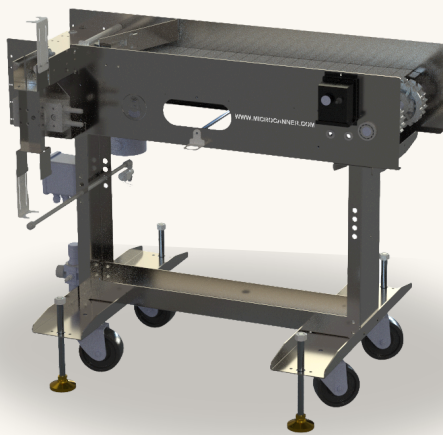
53.84" x 30.63" x 61.42"

BEST CONFIGURATION FOR ONE MAN OPERATION

NOVA FEEDER STANDARD

\$10,750

- UV LIGHT & IONIZED AIR SYSTEM
- SNEED DATE CODER MOUNTING AND PORT
- STANDARD AND SLEEK CAN COMPATIBLE
- L SHAPED CONFIGURATION



53.84" x 30.63" x 61.42"

BEST CONFIGURATION FOR ONE MAN OPERATION

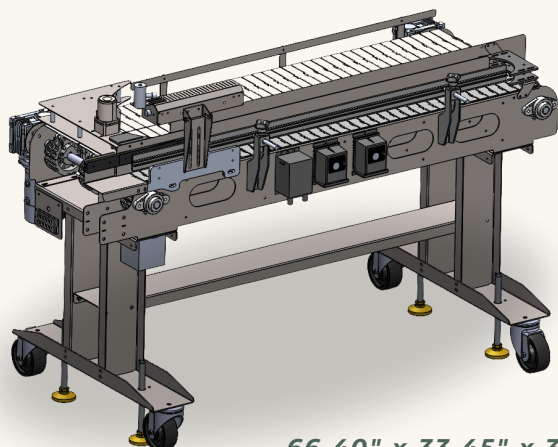
NOVA FEEDER ALTERNATIVE SYSTEM

\$13,250

- INVERTED RINSE SYSTEM
- SNEED DATE CODER MOUNTING AND PORT
- STANDARD CAN COMPATIBLE
- L SHAPED CONFIGURATION

ADD ON:

- SLEEK CAN KIT: \$100



66.40" x 33.45" x 36.56"

BEST CONFIGURATION FOR NARROW SPACES

ORBIT FEEDER STANDARD

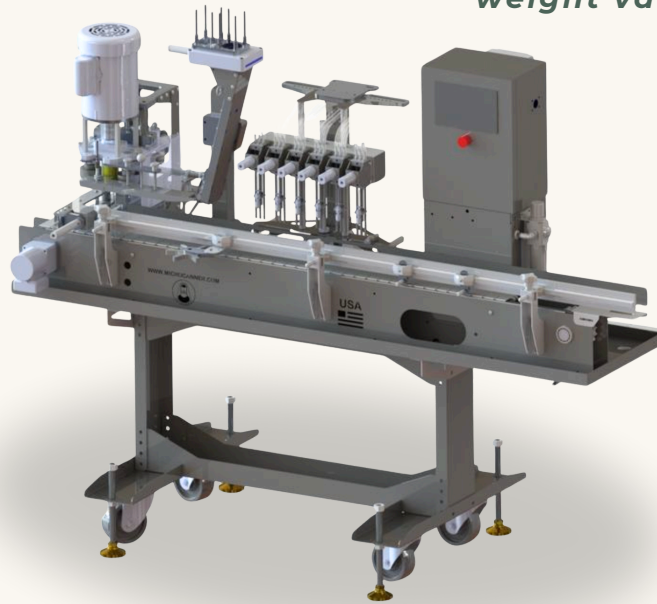
\$12,970

- UV LIGHT & IONIZED AIR SYSTEM
- STANDARD AND SLEEK CAN COMPATIBLE
- CAN FUNCTION ON NON MICROCANNER EQUIPMENT
- INLINE CONFIGURATION

MC-ZENITH

EASY CPM UPGRADES 20-50 CPM

79.5" x 30.48" x 63.28"
weight varies



\$35,500
BASE PRICE

INCLUDED

- DATE CODE PORT
- SUPPORTS STANDARD 8, 12, 16 AND 19.2 OZ CANS
- SUPPORTS SLEEK CANS

FILLER HEAD OPTIONS

2 FILLER HEAD
20 CPM
\$35,500

3 FILLER HEAD
30 CPM
\$43,000

4 FILLER HEAD
38 CPM
\$50,500

5 FILLER HEAD
44 CPM
\$58,000

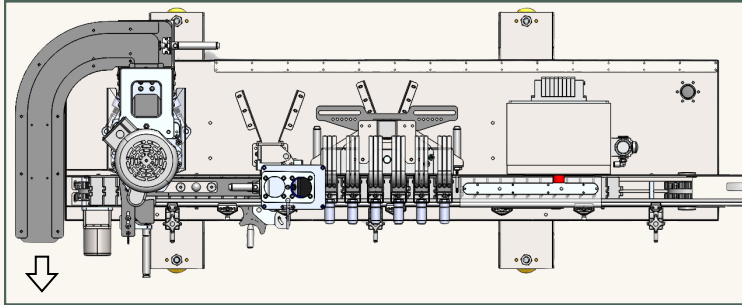
6 FILLER HEAD
50 CPM
\$65,500

MC-ZENITH

EASY CPM UPGRADES 20-50 CPM

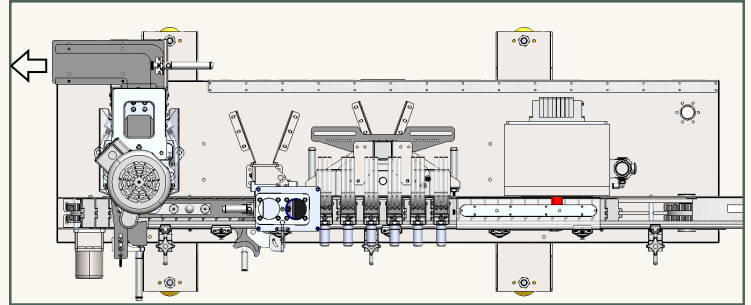


MACHINE ADD ONS



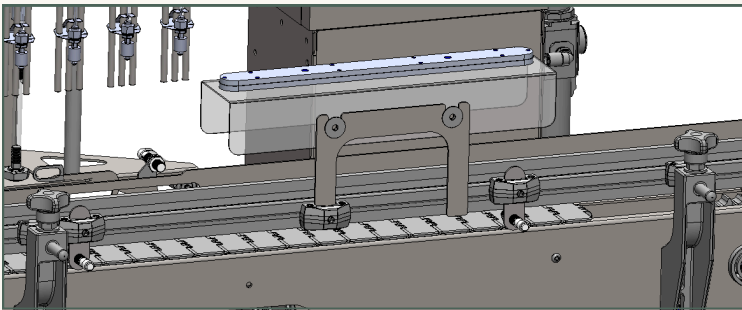
U-TURN KICK-OFF

\$3,000



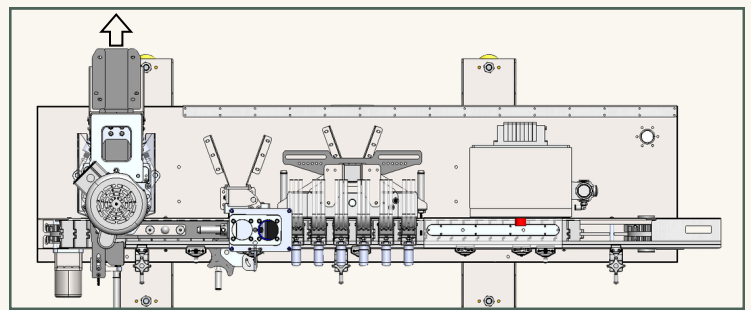
INLINE KICK-OFF

\$2,000



CO2 TUNNEL

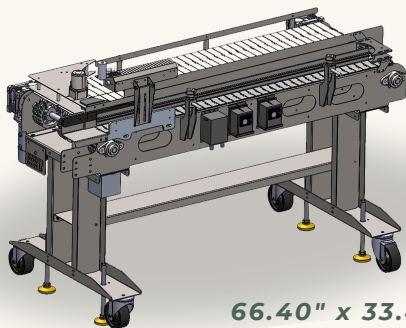
\$2,300



STRAIGHT EXTENSION

\$550

ORBIT FEEDER OPTIONS

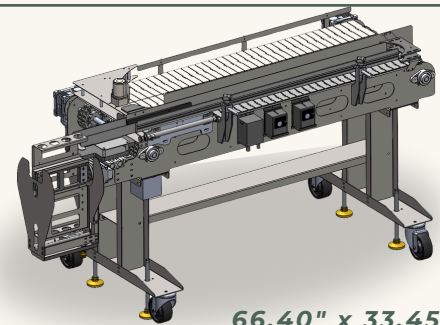


66.40" x 33.45" x 36.56"

**ORBIT FEEDER
STANDARD**

\$12,970

- UV LIGHT & IONIZED AIR SYSTEM
- STANDARD AND SLEEK CAN COMPATIBLE
- CAN FUNCTION ON NON MICROCANNER EQUIPMENT
- INLINE CONFIGURATION



66.40" x 33.45" x 36.56"

**ORBIT FEEDER
ALTERNATIVE SYSTEM**

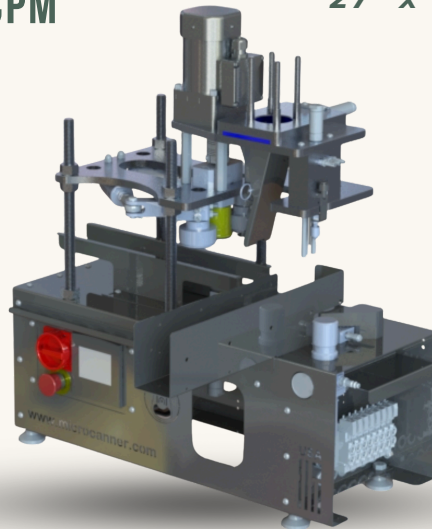
\$16,975

- INVERTED RINSE SYSTEM
 - STANDARD CAN COMPATIBLE
 - CAN ONLY FUNCTION ON MC-ZENITH
- ADD ON:**
- SLEEK CAN KIT: \$2,800

MC-ATOMIC

SMALL PACKAGE, BIG PUNCH 10 CPM

27" x 12" x 28"
79lbs



\$27,975
BASE PRICE

INCLUDED

- SUPPORTS STANDARD 8, 12, 16 AND 19.2 OZ CANS
- STANDARD SIDE EXIT FOR CANS

MACHINE ADD ONS

RINSE
TUNNEL

\$2,850

SLEEK CAN
KIT

\$1,300

INFORMATION



LEAD TIMES

MC-NOVA & MC-ZENITH
6-8 WEEKS

MC-ATOMIC
8-12 WEEKS

BASED ON DEPOSIT/PAYMENT, LEAD TIMES MAY BE SUBJECT TO CHANGE

SHIPPING

**F.O.B. MICROCANNER
LLC LOADING DOCK**

WE CAN HELP ARRANGE
SHIPPING AND
INSURANCE FOR YOU

WARRANTY & MAINTENANCE POLICY

ONE-YEAR SYSTEM WARRANTY

MICROCANNER PROVIDES A ONE-YEAR COMPREHENSIVE WARRANTY ON THE ENTIRE SYSTEM. UNDER THIS AGREEMENT, MICROCANNER SUPPLIES ALL NECESSARY REPLACEMENT PARTS, AND THE CUSTOMER IS RESPONSIBLE FOR PERFORMING THE INSTALLATION.

MAINTENANCE REQUIREMENTS

PLEASE NOTE THAT THIS WARRANTY IS CONTINGENT UPON PROPER EQUIPMENT CARE. COVERAGE MAY BE VOIDED IF THE SYSTEM IS NOT MAINTAINED ACCORDING TO THE GUIDELINES SPECIFIED IN THE OFFICIAL MANUAL AND AT WWW.MICROCANNERPARTS.COM

TRAINING

IN-PERSON TRAINING

PERSONALIZED, ON-SITE TRAINING IS AVAILABLE AS AN OPTIONAL ADD-ON FOR CUSTOMERS LOCATED WITHIN THE LOWER 48 STATES.

ONLINE & SELF-GUIDED TRAINING

YOU MAY ALSO ELECT TO SELF-TRAIN USING OUR LIBRARY OF FREE TRAINING VIDEOS. THESE COMPREHENSIVE RESOURCES ARE AVAILABLE ANYTIME AT WWW.MICROCANNERPARTS.COM.

HOW TO PURCHASE

EMAIL:

TINA@MICROCANNER.COM

PHONE:

(616) 745 - 6623

INCLUDE IN YOUR EMAIL OR PHONE CALL:

- NAME, COMPANY, PHONE NUMBER, EMAIL
- CAN SIZE YOU WILL BE RUNNING
 - CHANGE PARTS MAY BE NEEDED BASED ON CAN SIZE YOU USE.
- SHIPPING ADDRESS
- BILLING ADDRESS
- HOW YOU HEARD ABOUT US!

INFORMATION



ANCILLARY EQUIPMENT

PLEASE NOTE THAT MICROCANNER IS NOT AFFILIATED WITH THESE COMPANIES. WHILE WE DO NOT OFFICIALLY ENDORSE THIRD-PARTY PRODUCTS, WE HAVE RECEIVED POSITIVE FEEDBACK FROM CUSTOMERS WHO HAVE SUCCESSFULLY INTEGRATED THIS EQUIPMENT WITH THEIR MICROCANNER SYSTEMS.

DATE CODING OPTIONS

SNEED CASE CODING (ECONOMY OPTION)

CONTACT: TOM@SNEEDCODING.COM

WEBER PACKAGING SOLUTIONS, INC (INDUSTRIAL OPTION)

CONTACT: PJOHNSON@WEBERPACKAGING.COM

AIR DRYER

RAPID CONTROLS (SMC)

CONTACT: DOUG@RAPIDCONTROL.COM

NITRO DOSER

CHART INDUSTRIES

CONTACT: CHRISTINA.MARRICK@CHARTINDUSTRIES

CONTACT US

IF YOU HAVE ANY QUESTIONS PLEASE REACH OUT TO US AT
SALES@MICROCANNER.COM OR (616)745-6623

MICROCANNER LLC

70 N MAIN ST.
CEDAR SPRINGS, MI, 49319