

Microcanner

Equipment Pricing
Q4 Microcanner 2024



Microcanner MC-ATOMIC

Q4 Microcanner 2024



\$23,500

[Link to DIY infeed](#)

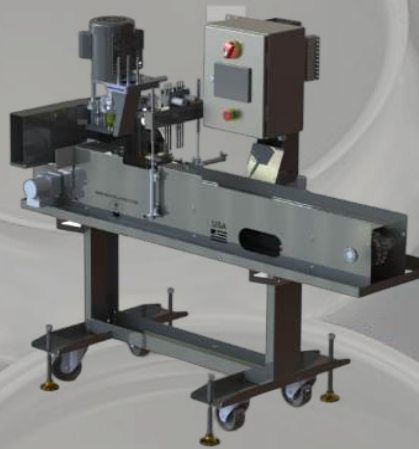
Sales@microcanner.com

OPTIONAL PARTS

- Sleek can kit \$250
- Post rinse kit \$1,297

Microcanner MC-SWIFT

Q4 Microcanner 2024



\$32,000

Optional Infeed - \$9,750

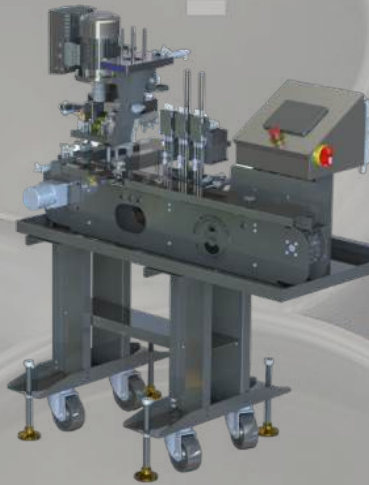
Sales@microcanner.com

OPTIONAL PARTS

- Sleek can kit for filler \$550
- Sleek can kit for infeed \$100
- Kick off kit for labelers \$1,850

Microcanner MC-FLEX

Q4 Microcanner 2024



\$48,475

Optional Infeed - \$11,975

Sales@microcanner.com

OPTIONAL PARTS

- Curved transition for exit \$1,495
- Sleek can kit for infeed \$2,300
- Ionized air kit for infeed \$2,100

Microcanner MC-CRAFT

Q4 Microcanner 2024



\$60,500

Optional Infeed - \$11,975

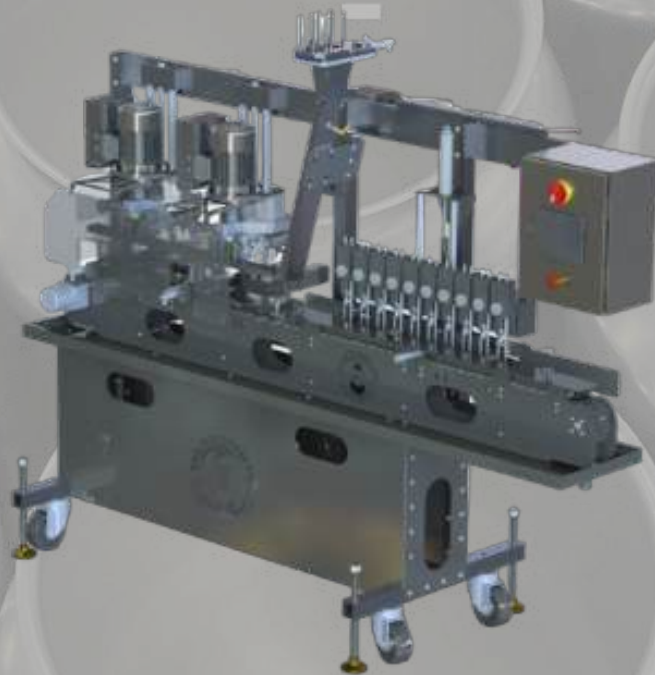
Sales@microcanner.com

OPTIONAL PARTS

- Curved transition for exit \$1,495
- Sleek can kit for infeed \$2,300
- Ionized air kit for infeed \$2,100

Microcanner MC-MAX

Q4 Microcanner 2024



\$109,975

Optional Infeed - \$11,975

Sales@microcanner.com

Microcanner

MC-SCREW

Q4 Microcanner 2024



\$120,975

Sales@microcanner.com

Microcanner

MC-SWIFT INFEED

Q4 Microcanner 2024



\$9,750

Sales@microcanner.com

OPTIONAL PARTS

- Sleek can kit infeed \$100
- Ionized air kit \$2,100

Microcanner

MC-FLEX & CRAFT INFEEED

Q4 Microcanner 2024



\$11,975

Sales@microcanner.com

OPTIONAL PARTS

- Ionized air kit \$2,100
- UV light kit \$850
- Sleek can kit for infeed \$2,300

Microcanner

MC-MAX INFEED

Q4 Microcanner 2024



\$11,975

Sales@microcanner.com

- INCLUDED PARTS
- UV LIGHT SYSTEM
 - IONIZED AIR SYSTEM



Lead Times: All Machines 2-4 weeks, based on date deposit/payment is received (Lead times may be subject to change)

Shipping: F.O.B. Microcanner, LLC loading dock (we can help arrange the shipping and insurance for you)

Warranty: 1 Year on entire system

Training: In person training only available to the lower 48 states. You may elect to self train using our training videos on Microcannerparts.com

How to Purchase: Email Tina@Microcanner.com or call (616)-901-8551 and include the following:

- Email, Phone number and name
- Can sizes you will be running (change parts may be needed to use certain can sizes)
- Shipping address and Billing address
- We'd love to know where you heard about our product

Ancillary Equipment

We are not affiliated with these companies, We have had positive feedback from customers using this equipment with their Microcanner

Date Coding:

Sneed Case Coding (Economy Option)

(tom@sneedcoding.com)

Weber Packaging Solutions, Inc (Industrial Option)

(email: pjohnson@weberpackaging.com)

Air Dryer:

Rapid Controls (SMC)

(email: doug@rapidcontrol.com)

Nitro Doser:

Chart Industries

(email: christina.marrick@chartindustries)



If you have any questions please reach out to us at sales@microcanner.com or (616)-745-6623

[Read more on our website](#)

™ Microcanner, LLC
70 N Main St, Cedar Springs, MI 49319